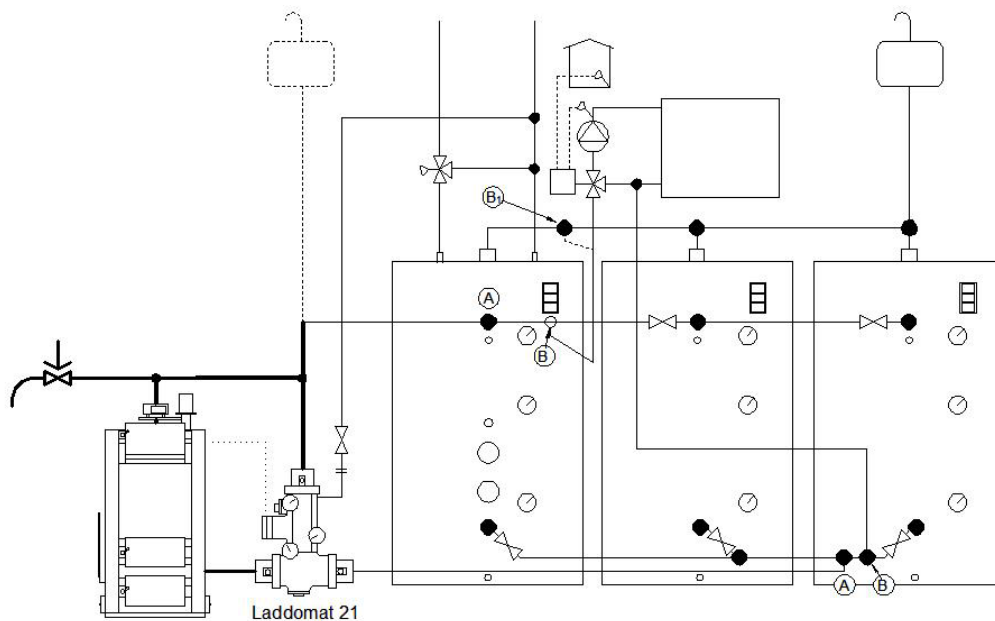


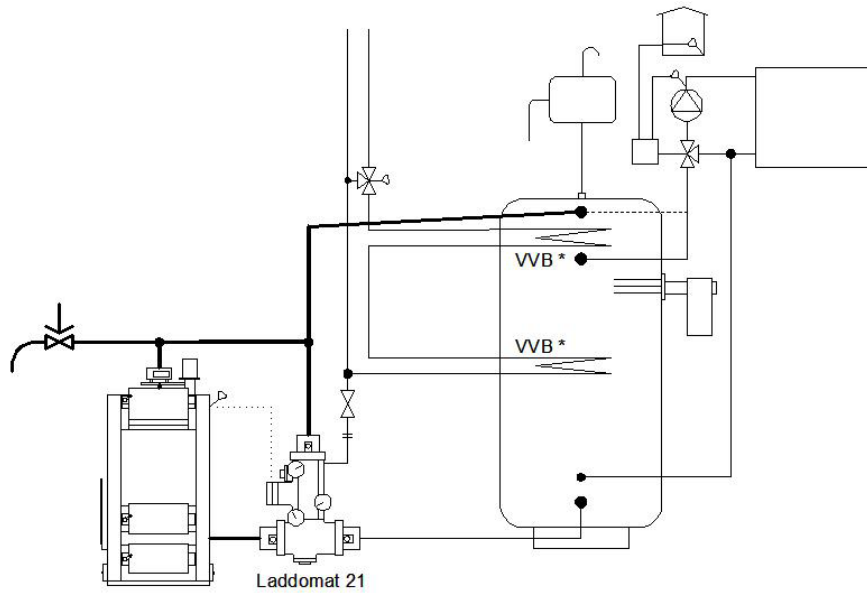
Schema 1: Pellets boiler/ solid fuel boiler connected to gas boiler and hot water tank together with accumulation tank .

[www.cichewicz.com](http://www.cichewicz.com)

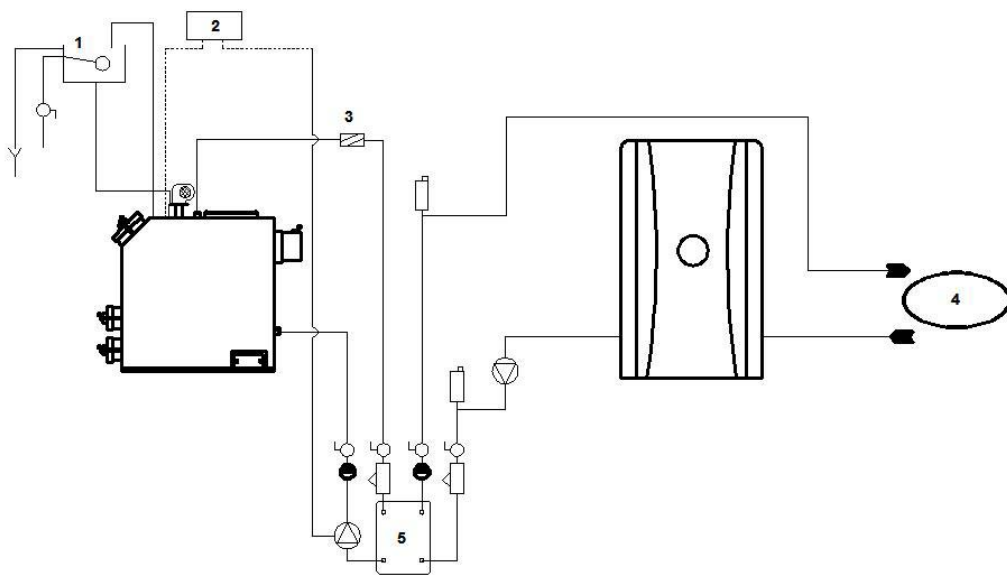


Schema 2 : Solid fuel boiler connected to 3 accumulation tanks

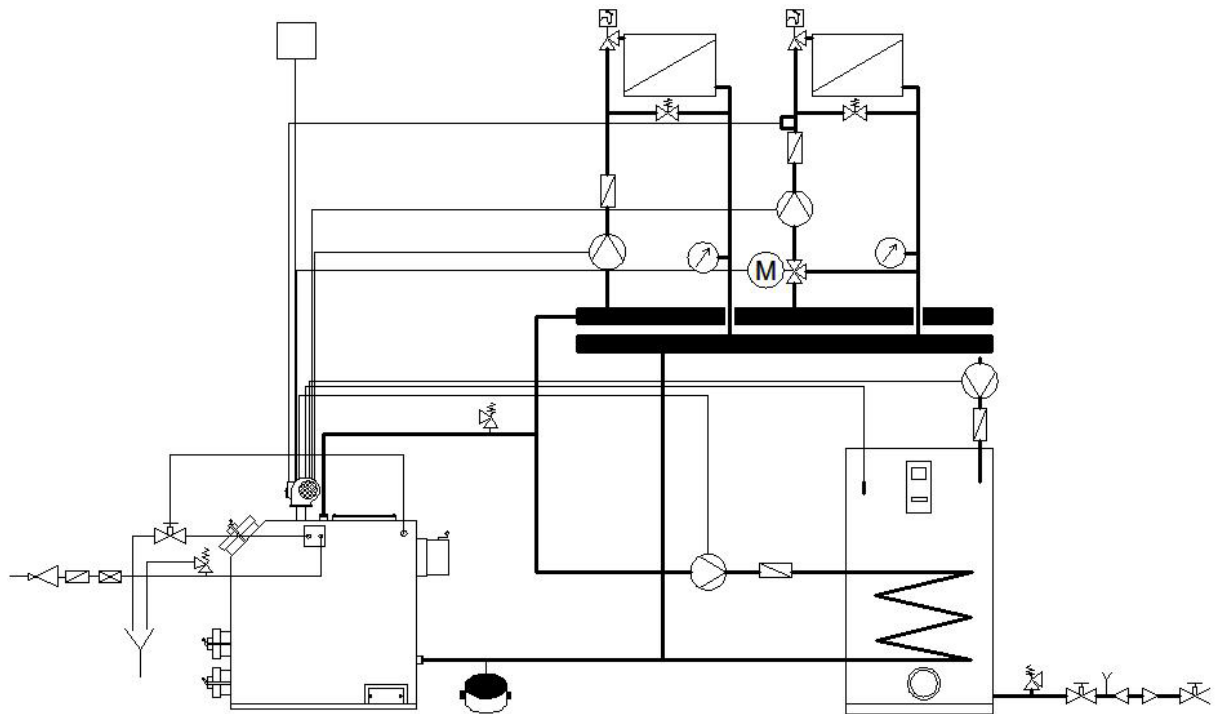
[www.cichewicz.com](http://www.cichewicz.com)



Schema 3 : Solid fuel boiler connected to accumulation tank  
[www.cichewicz.com](http://www.cichewicz.com)

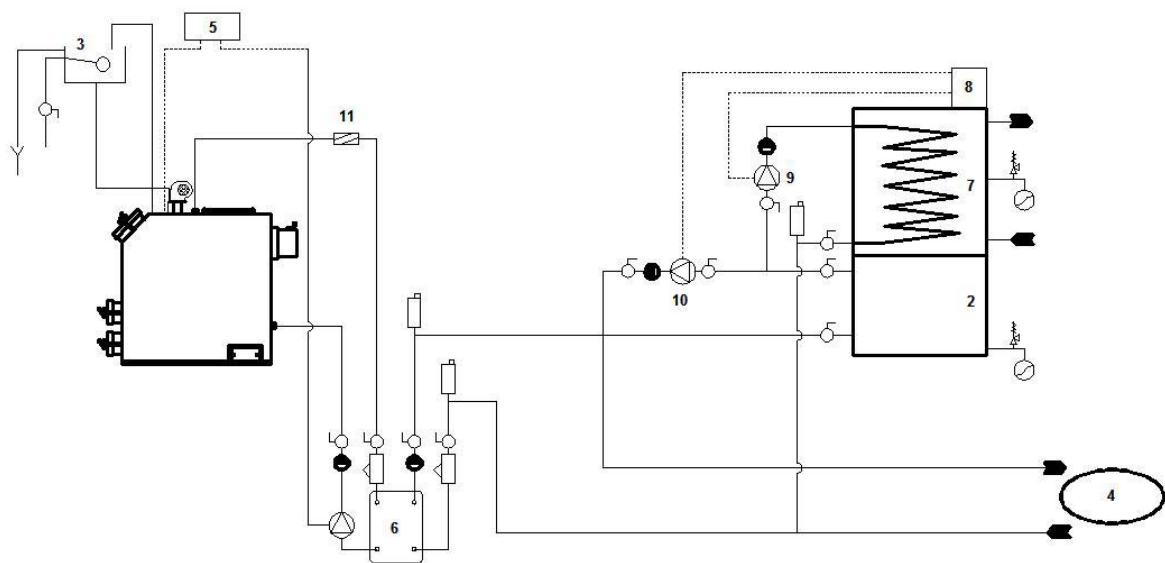


Schema 4 : Solid fuel boiler connected to gas boiler through plate exchanger  
[www.cichewicz.com](http://www.cichewicz.com)



Schema 5 : Solid fuel boiler and close system through EN 303-5 spiral

[www.cichewicz.com](http://www.cichewicz.com)



Schema 6 : Solid fuel boiler connected with hot water through Plate exchanger.

[www.cichewicz.com](http://www.cichewicz.com)